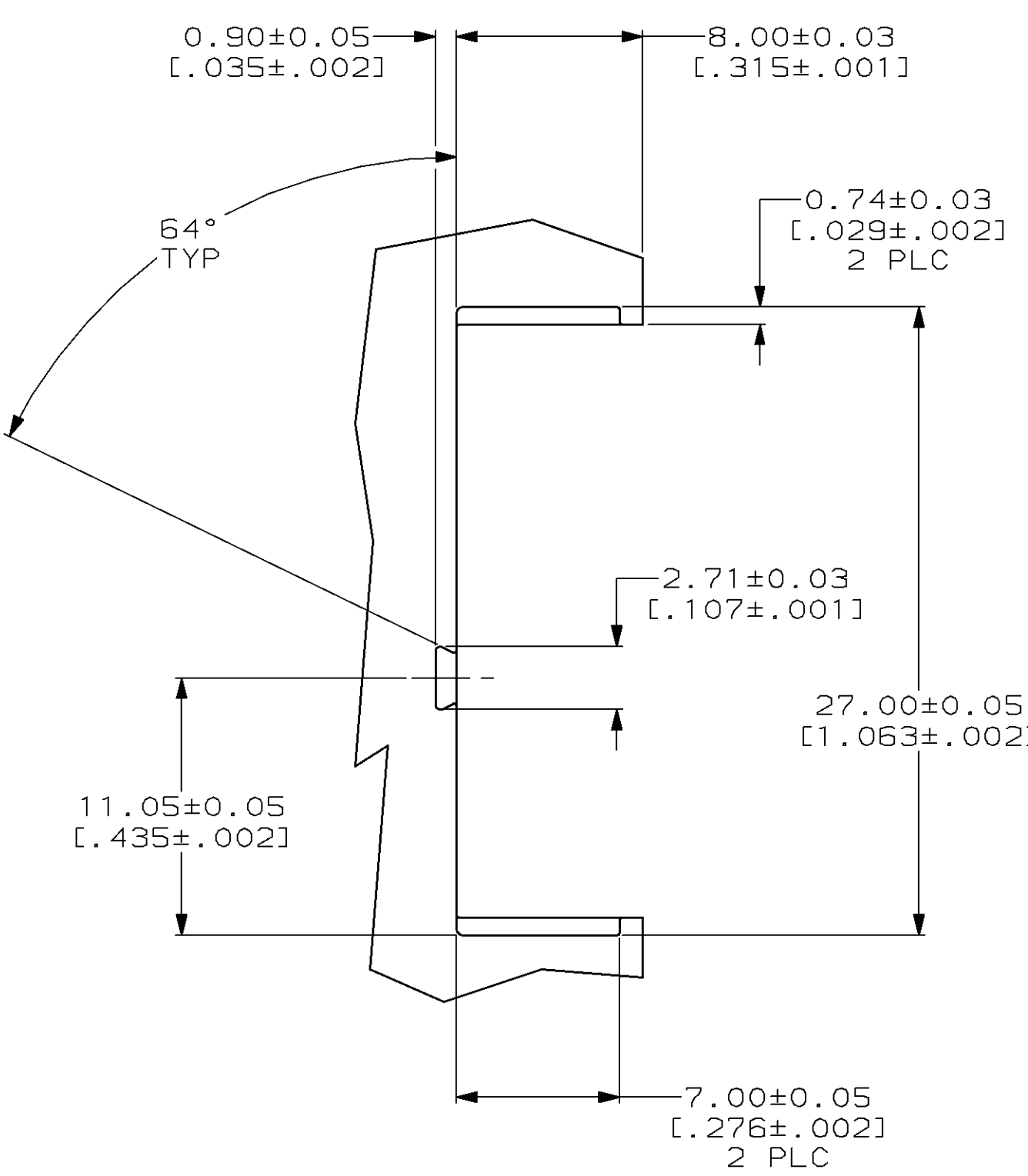
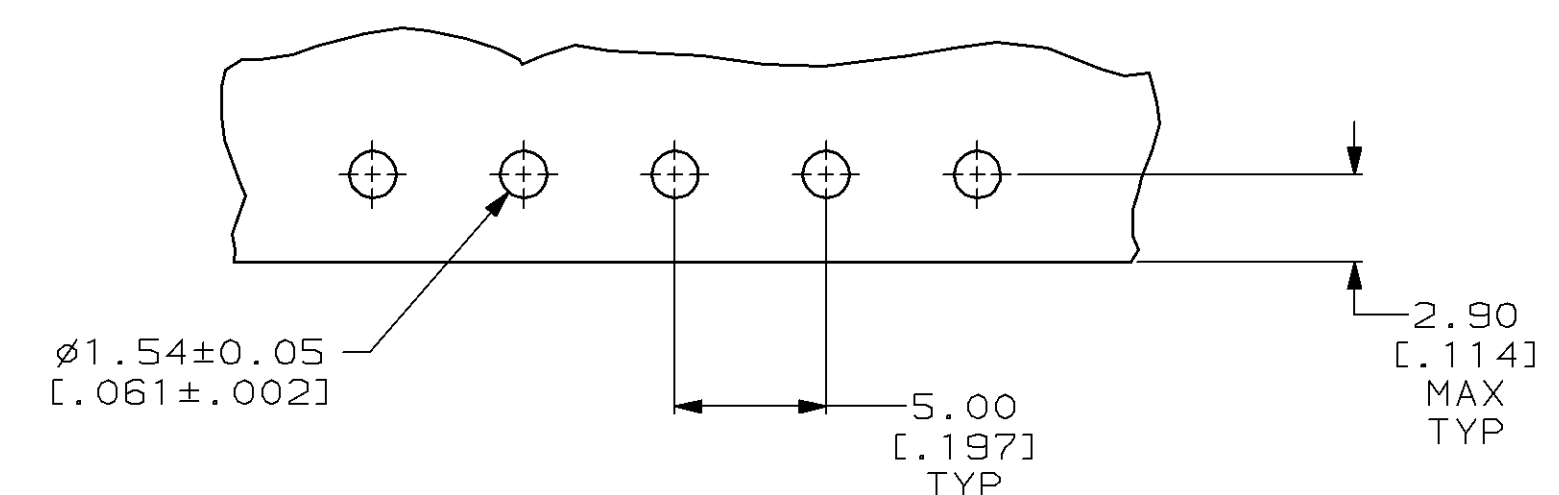


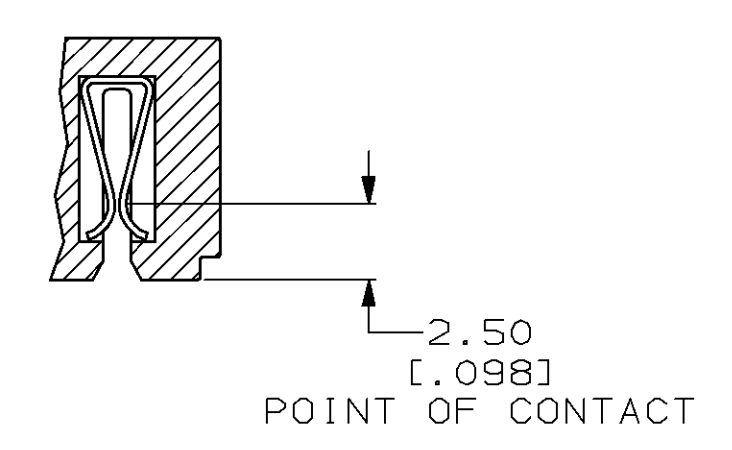
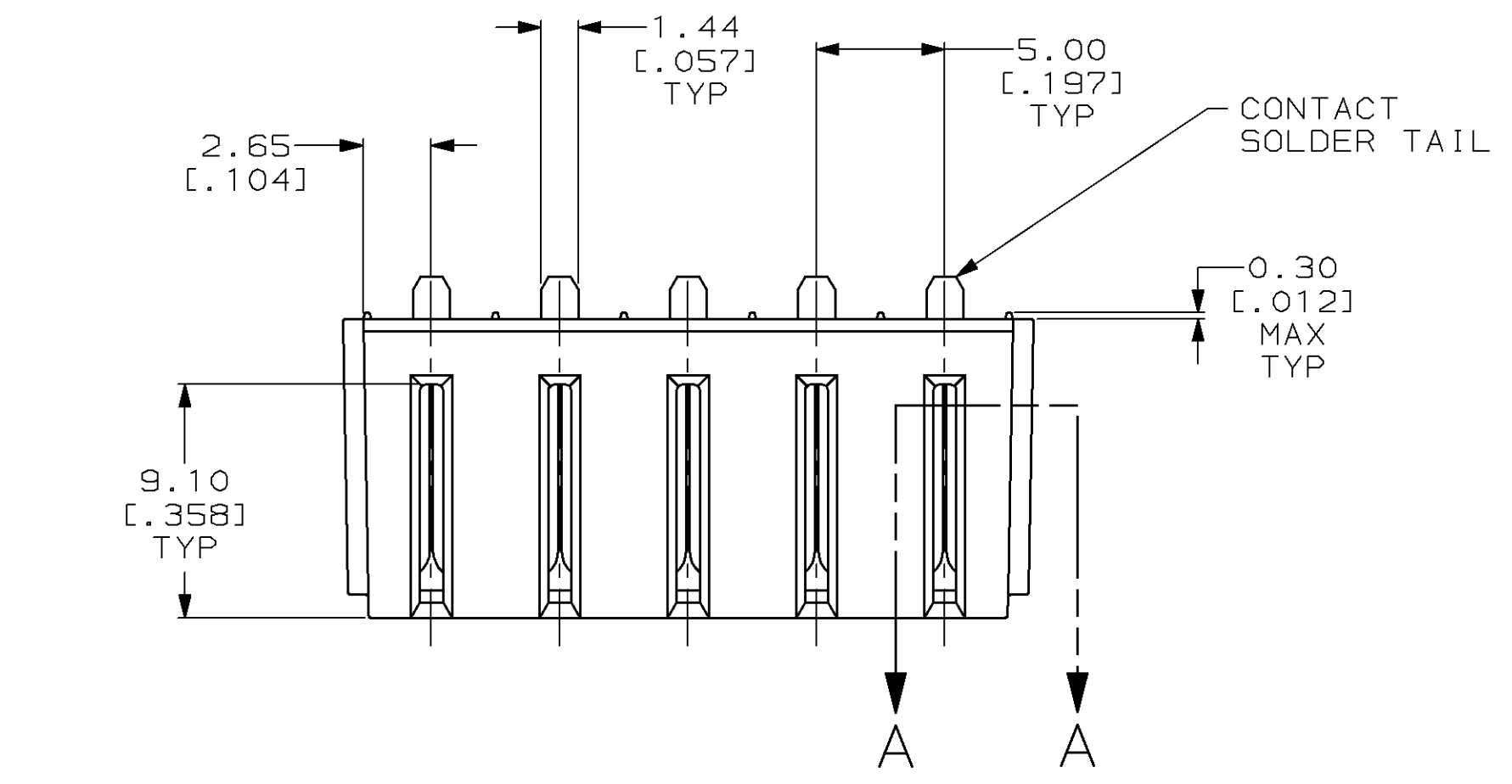
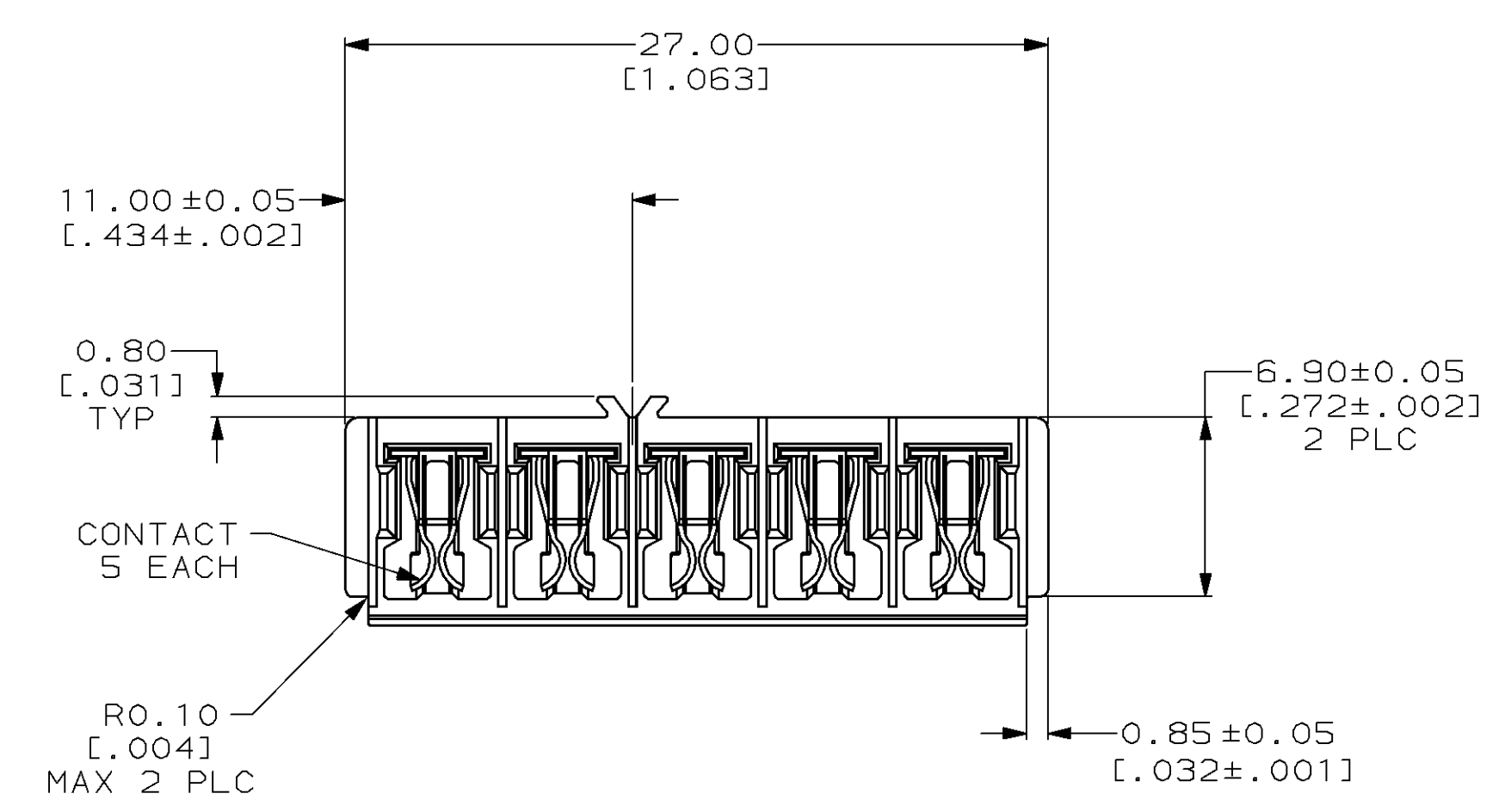
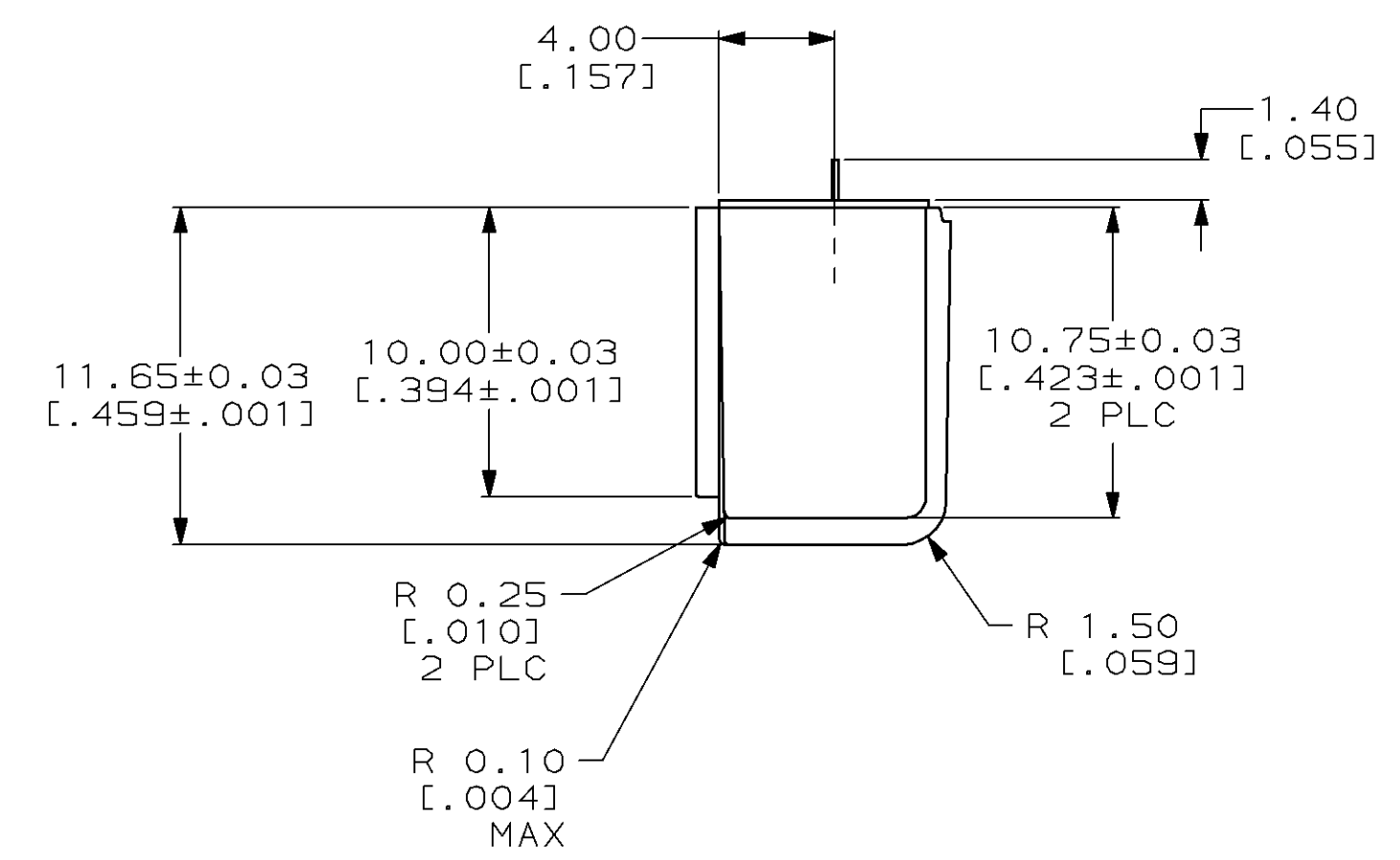
LOC		DIST		REVISIONS			
P	LTR	DESCRIPTION	DATE	DMN	APVD		
0		RELEASED	21 OCT 96	-	-		
A		REV PER 0410-0119-97	5/29/97	JR	CB		



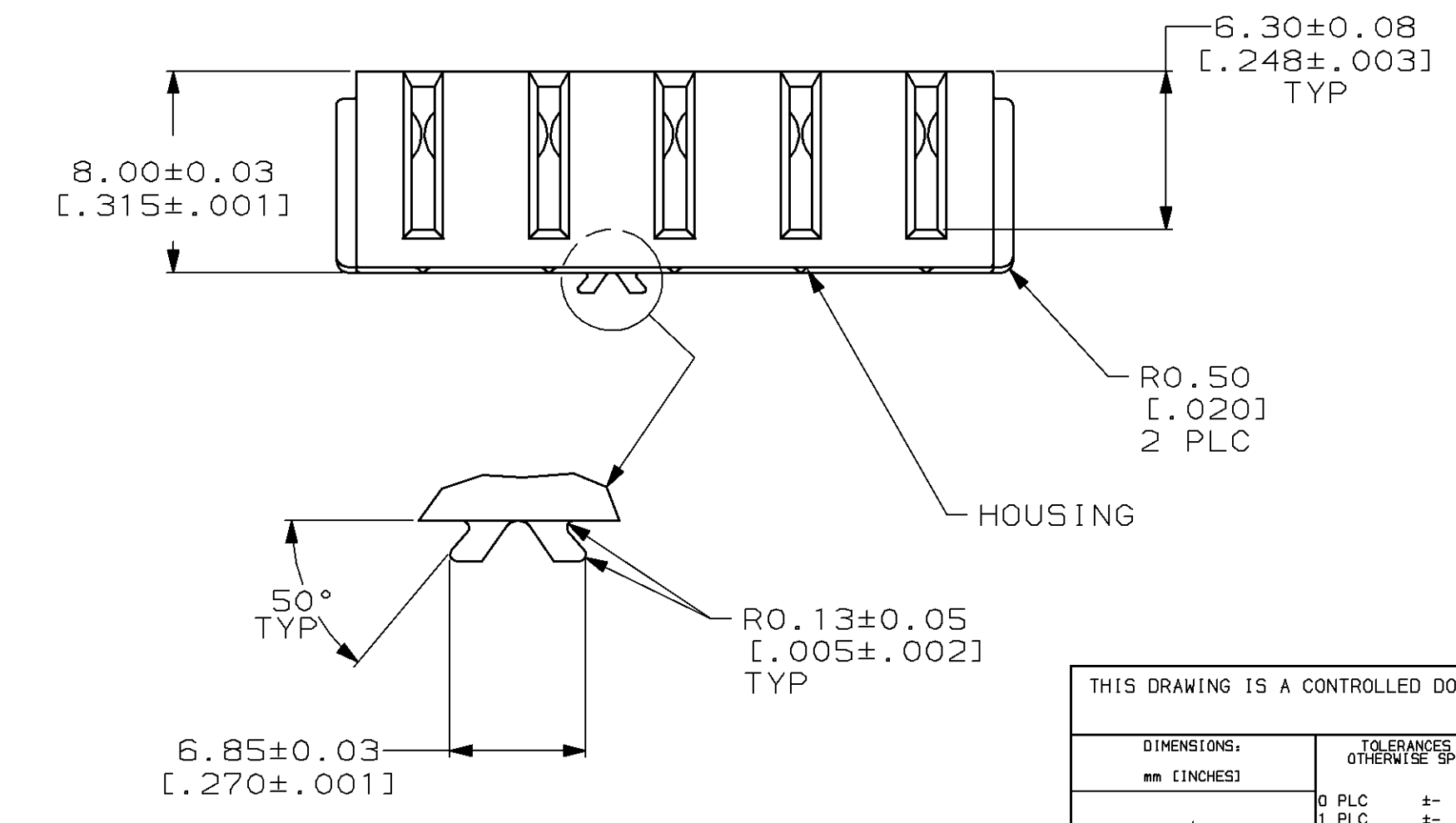
SUGGESTED CAVITY



RECOMMENDED PC BOARD LAYOUT



SECTION A-A



- ① HOUSING: POLYPHTHALAMIDE, BLACK.
CONTACTS: PHOSPHOR BRONZE.
- ② CONTACT: 1.30µm[.000051] MIN TIN-LEAD ON SOLDER TAIL
OVER 1.90µm[.000075] MIN NICKEL ON ENTIRE CONTACT.

146800-1
PART NUMBER

THIS DRAWING IS A CONTROLLED DOCUMENT.		DMN C. REIFSNYDER 21 OCT 96	AMP Incorporated Harrisburg, PA 17105-3508
DIMENSIONS: mm (INCHES)	TOLERANCES UNLESS OTHERWISE SPECIFIED:	CHK C. BAKER 04 NOV 96	NAME INSERT ASSEMBLY, 5 POSITION, KEYLESS, DOVETAIL LOCATOR, 5mm ⌀
0 PLC ±.01	1 PLC ±.02	APVD C. BAKER 05 NOV 96	PRODUCT SPEC 108-1501
2 PLC ±.03	3 PLC ±.04	APPLICATION SPEC	SIZE A1
4 PLC ±.05	ANGLES ±2°	WEIGHT	CAGE CODE 00779
MATERIAL	FINISH	CUSTOMER DRAWING	DRAWING NO 146800
		SCALE 4:1	SHEET 1 OF 1